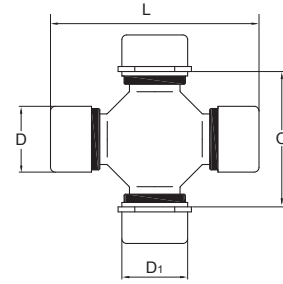
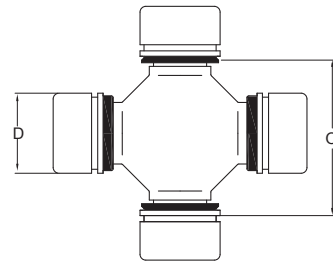




U-Joint With 2 Plain Round Bearings and 2 Grooved Round Bearings


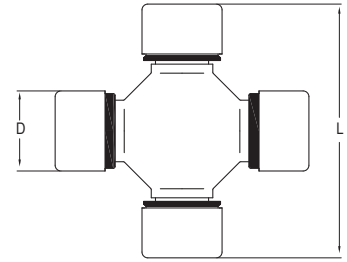
KML NO.	Boundary dimensions (mm)			
	D	D1	L	O
5-248X	25.39	27	62	38.6
5-212X	27.02	28.6	92	60.2
5-3022X	27	28.6	81.78	60.2
5-1204X	27	28.6	92	67.6
5-450X	27.01	27	81.78	52.5
5-353X	27.01	27.39	81.8	50.8
5-1312X	28.6	28.58	60	91
5-544X	28.6	27	81.4	60

U-Joint With 4 Plain Round Bearings


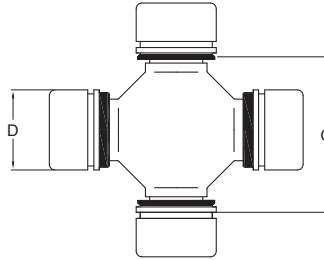
KML NO.	Boundary dimensions (mm)		Reference No.	
	D	L	GMB	GKN
5-4X	27.009	74.6	GU1100	HS195
5-101X	23.82	61.3	GU400	HS150
5-111X	23.82	61.3		HS194
5-129X	28.6	66.5	GGPL-14R	
5-134X	27	92/81.7	G5-134X	
5-153X	27	81.78	GU1000	HS166
5-155X	34.93	126.22	G5-155X	HS275
5-160X	30.188	106.35	GU2050	HS179
5-165X	41.24	142	G5-165X	HS252
5-178X	30.188	92.075	GU2200	HS182
5-188X	34.93	106.31	GU2300	HS263
5-200X	27	81.78	G5-200X	HS166
5-213X	27	92	G5-213X	
5-243X	31.75	81.4	GGP-35R	HS202
5-251X	27	81.75	G5-251X	HS166
5-263X	34.93	106.31	G5-263X	HS263
5-275X	34.93	126.22	G5-275X	HS275
5-431X	33.3	67.48	GGP-44R	
5-443X	27.01	61.95	G5-443X	HS197



U-Joint With 4 Plain Round Bearings



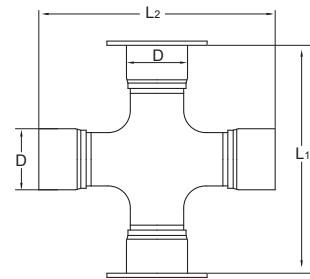
KML NO.	Boundary dimensions (mm)		Reference No.	
	D	L	GMB	GKN
EG40	27.02	74.8	GUA-8	HS186
EG50	30.22	80.15	GUA-11	HS198
EG60	30.22	92.2	GUA-12	HS182
EG70	30.22	106.65	GUA-13	HS179
EG80	34.92	106.5	GUA-17	HS183
GU1000	27	81.78	GU1000	HS166
GU300	19.05	52	GU300	HS119
GU2050	30,188	106.35	GU2050	HS179
GU3500	39.675	115.42	GU3500	HS176
GU400	23.82	61.3	GU400	HS150
GU500	23.82	61.6	GU500	HS194
GU5000	49.23	154.76	GU5000	HS337
GU7420	30	82.4	GU7420	
GUA-10	30	82.1		
GUA-14	32	75.9	GUA-14	HS204
GUA-20	36	89	GUA-20	HS230
GUK-12	27	80		
SPL90-1X	41.28	126		
SPL170-1X	55.02	164		
SPL250-1X	60	163		
ST1538	15	38.1		
ST1539	15	39.1		
ST1540	15	40		
ST1638	16	38		
ST1639	16	39		
ST1640	16	40		
ST1940	19	40		
ST1948	19	48		
U728/4	24.09	74.55	GU7280/4	
U447	42.12	104.5	GU4470	
U743	35	96.8	GU7430	HS222
U744	38.03	105.6	GU7440	HS236
U756	52	133	GU7560	HS282
U761	53	135	GU7610	HS284
U763	57.07	152	GU7630	HS289
U765	48	126	GU7650	
U813	57	144	GU8130	HS288

U-Joint With 4 Grooved Round Bearings


KML NO.	Boundary dimensions (mm)		Reference No.	
	D	O	GMB	GKN
5-92X	24.61	34.36	GGPL-6R	HS416
5-100X	25.4	38.5	G5-100X	
5-103X	23.83	35	G5-103X	HS410
5-170X	23.83	34.85	G5-170X	HS410
5-260X	27	52.4	G5-260X	HS162
5-273X	27	67.6	G5-273X	
5-297X	30.2	52.5	G5-297X	HS457
5-297-1X	30.2	52.5	G5-297X-1	HS457
5-353X	27/27.4	50.8/56.8	G5-353X	
5-1200X	27	57.4	G5-1200X	
5-1201X	27/28.6	55.5	G5-1201X	
5-1203X	27	67.6	G5-1203X	
5-1206X	30.188	72.68	G5-1206X	
5-1301X	31.3	71.5	G5-1301X	
5-1306X	27.4	50.9	G5-1306X	HS442
5-1306X-1	27.4	50.8	G5-1306X-1	HS442
5-1309X	28.6	63.96	G5-1309X	
5-1501X	25.02	40	GUN27	HS420
5-1502X	26	42	GUT13	HS432
5-1503X	25.02	39.8		
5-1505X	28.02	52.9	GUN29	HS448
5-1508X	26	53.6	GUT12	HS436
5-1510X	29	49	GUT17	HS454
5-1511X	32	61	GUT20	HS470
5-3011X	28.6	59.9		HS453
5-3147X	28.6	60.2	GU6370	HS451
5-12213X	38	57.2	GU7300	

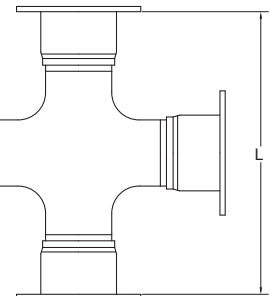


U-Joint with 2 welder plate type and 2 plain Round bearings

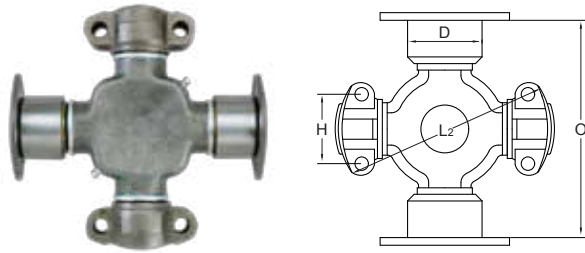


KML NO.	Boundary dimensions (mm)			Reference No.	
	D	L1	L2	Neapco	Rockwell
5-438X	47.18	135.005	135.005	4-2791	CP16S1
5-515X	49.195	154.855	156.855	5-2801	CP17S1
5-469X	49.195	177.98	179.98	6-4071	CP176S1
5-510X	49.195	191.9	193.9	6-2811	CP18S1
5-674X	47.618	135.6	135.6	4-2791	CP16S1
5-675X	49.195	155.33	157.63	5-2801	CP17S1
5-676X	49.195	192.38	194.68	6-2811	CP18S1
5-677X	49.195	178.38	180.68	6-4071	CP176S1

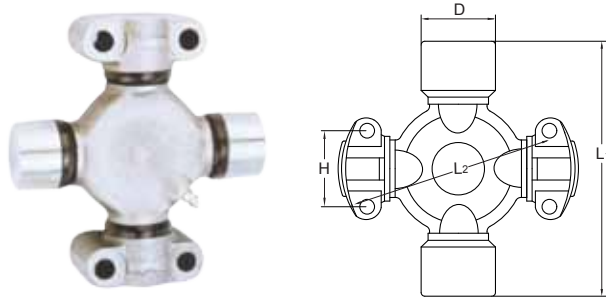
U-Joint with 4 welder plate type bearings



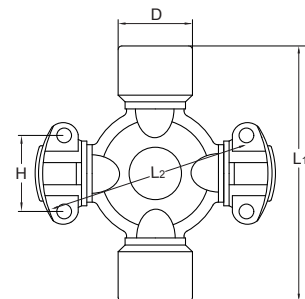
KML NO.	Boundary dimensions (mm)		Reference No.		
	D	L	GKN	Alloy	Rockwell
5-115X	39.75	115.42	HS308	1757	CP115X
5-279X	47.618	135.005	HS336	1807	CP16NS
5-279X-1	47.618	135.005	HS336	1807	CP16NS
5-280X	49.195	154.855	HS337	1802	CP17NS
5-280X-1	49.195	154.855	HS337	1802	CP17NS
5-407X	49.195	177.93	HS338	1808	CP176NS
5-407X-1	49.195	177.93	HS338	1808	CP176NS
5-281X	49.195	191.90	HS334	1810	CP18NS
5-281X-1	49.195	191.90	HS334	1810	CP18NS
5-308X	55.50	206.00	HS348		
5-124X	58.979	167.58	HS324	1804	CP124X

U-Joint with 2 welder plate type and 2 high wing bearings


KML NO.	Boundary dimensions (mm)				Cross Reference No.		Bearing Quantity and Type
	D	H	L1	L2	GKN	Rockwell	
5-324X	49.195	71.4	191.98	209.3	HS794	CP18N96	2HWD,2RND
5-326X	55.54	71.4	206	209.3	HS798		2HWD,2RND

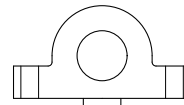
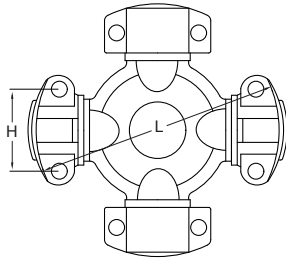
U-Joint with 2 wing and 2 plain round bearings


KML NO.	Boundary dimensions (mm)				Reference No.	Wind and Round Bearing Type
	D	H	L1	L2	Rockwell	
5-2033X	25.4	33.34	54.5	79	CP2033	2LWD,2RND
5-2031X	25.4	33.34	55.2	79.22	CP2031	2LWT,2RND
5-4016X	28.5	36.5	77.9	108	CP4016X	2LWD,2RND
5-5015X	33.35	42.8	79.2	115		

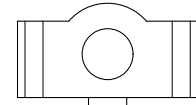
U-Joint with 2 wing and 2 grooved plain round bearings


KML NO.	Boundary dimensions (mm)				Reference No.	Wind and Round Bearing Type
	D	H	L1	L2	Rockwell	
5-345X	30.18	36.5	106.29	107.9		2LWD,2RND
5-330X	41.2	49.2	142	148.2		2LWD,2RND

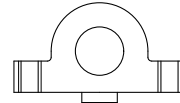
U-Joint With 4 wing bearings



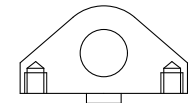
LWD-Low Wing Drilled



HWD-High Wing Drilled



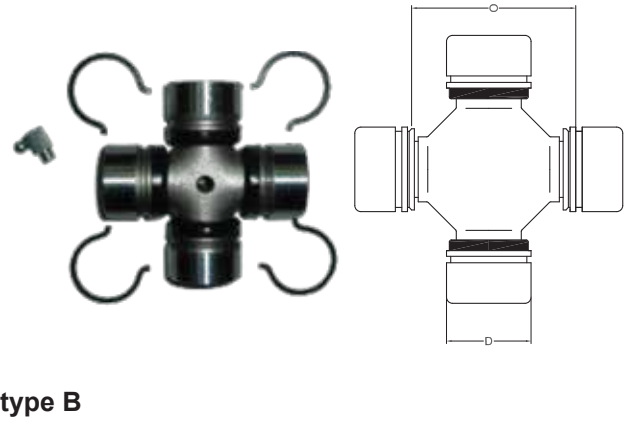
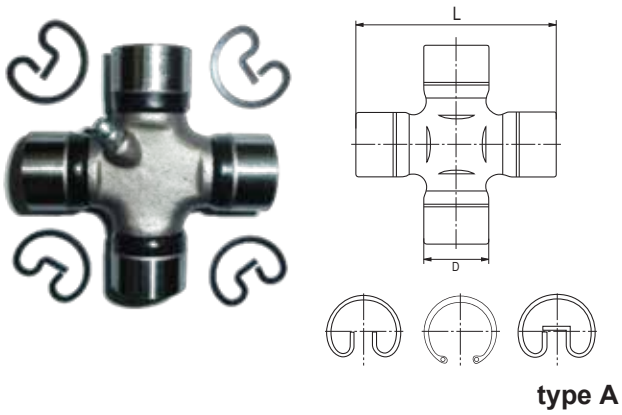
LWT-Low Wing Threaded



DWT-Delta Wing Threaded

KML NO.	Boundary dimensions (mm)		Bearing Quantity and Type	Reference No.		
	H	L		GKN	ALLOY	CATERPILLAR
G5-2117	33.34	79	4LWD	HS521		316117
5-2002X	33.34	79	4LWT	HS520		1250
5-2116X	33.34	79	2LWT,2LWD	HS522	1063	6S6902
5-3000X	36.5	90.4	4LWT	HS530	1711	5D9153
5-3014X	36.5	90.4	2LWT,2LWD	HS532		9K1976
5-4002X	36.5	108	4LWT	HS540	1703	6F7160
5-4123X	36.5	108	2LWT,2LWD	HS542	1704	6H1262
5-4140X	36.5	108	2LWT,2HWD	HS543	J4130	5M0800
5-4143X	36.5	108	4HWD	HS545	1689	6K0316
5-5000X	42.88	115.06	4LWT	HS550	1720	7J5251
5-5121X	42.88	115.06	2LWT,2LWD	HS552	1721	7J5245
5-5173X	42.88	115.06	2LWT,2HWD	HS553	1722	
5-5177X	42.88	115.06	4HWD	HS555	1728	2K3631
5-5800X	49.2	134.8	4HWD			
5-5801X	49.2	134.8	4DWT			
5-5802X	49.3	134.9	2LWT,2HWD		1877	9C0398
5-6000X	42.8	140.2	4LWT	HS560	1820	
5-6102X	42.8/42.7	140.2	2LWT,2HWD	HS563	1822	
5-6106X	42.7	140.2	4HWD	HS565	1826	IS9670
5-6108X	42.88/49.22	140.45/148.38	2-LWT&2-LWT			
5-7000X	49.2	148.1	4LWT	HS570	1841	8F7719
5-7105X	49.2	148.1	4HWD	HS575	1840	2H0858
5-7202X	49.2	148.1	2LWT,2HWD	HS573	1843	7J5242
5-8105X	49.2	206.4	4HWD	HS585	1850	6H2579
5-8200X	49.2	206.4	4LWT	HS580	1851	XX7146
5-8201X	49.2	206.4	2LWT,2LWD	HS582	1852	
5-8202X	49.2	206.4	2DWT,2HWD	HS583	1853	
5-8203X	49.2	206.4	4HWD	HS581	1854	
5-8500X	71.6	165	4LWT	HS680		7K0442
5-8515X	71.8	165	2LWT,2HWD	HS683		
5-8516X	71.8	165	4HWD	HS685		2V7153
5-9000X	71.44	209.51				
5-9016X	71.44	209.7	4HWD	HS595	1868	9V7710

For Japanese Universal Joints

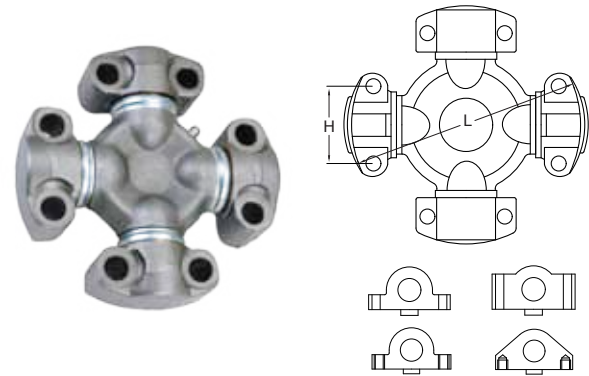
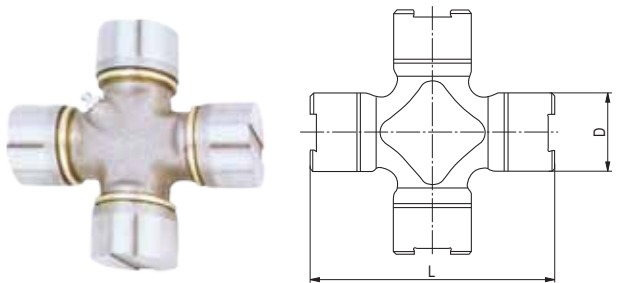


type A

type B

type C

type D



TOYOTA

KML NO.	Boundary dimensions (mm)			Reference No.			Type
	D	O	L	Original No.	KOYO	MATSUBA	
GUT-11	20		57	04371-10011	T2057	UJ212	A
GUT-12	26	53.6		04371-30011	T2680C	UJ210	B
GUT-13	26	42		04371-20010	T2667A	UJ211(221)(231)	B
GUT-14	28.52		77.7	04371-60010	T2978	UJ214	A
GUT-16	40		118	04371-55020	T40119	UJ215	A
GUT-17	29	49		04371-30020	T2977	UJ230	B
GUT-20	32	61		04371-36021	T32921	UJ234	B
GUT-21	29	49		04371-35020	T2977	UJ230	B
GUT-23	29	49		04371-35050			B
GUT-24	22.08		57.3				A



For Japanese Universal Joints

NISSAN

KML NO.	Boundary dimensions (mm)				Reference No.			Type
	D	O	L	M	Original No.	KOYO	MATSUBA	
GUN-25	32	64			37125-01J25			B
GUN-26	23.82		61.3		37125-11975	N2461	UJ110	A
GUN-27	25.02	40			37125-14627	N2563	UJ111	B
GUN-28	20.02	34.7			37125-18025	N2057		B
GUN-29	28.02	52.9			39625-21025	N2880BA	UJ112	B
GUN-30	30.188		92.08		37125-85461	N3092		A
GUN-31	32		107	11.2	37125-50001	N32111	UJ114	C
GUN-32	35.5		119.2		37125-58026	N36119	UJ115	A
GUN-41	43		136	36.1	37125-90128	ND43142	UJ120	C
GUN-43	55		164	26	37125-90027	ND43128B	UJ125	C
GUN-44	20.53		56.5		48155-99000		UJ118	A
GUN-46	27	45.95			37126-01G25		UJ124	B
GUN-47	27		81.75		37125-25025			A
GUN-48	27		81.75		37125-7F025			A

MAZDA

KML NO.	Boundary dimensions (mm)			Reference No.			Type
	D	O	L	Original No.	KOYO	MATSUBA	
GUMZ-1	25		63.8	0136-25-060	TM2564A	UJ410(411)	A
GUMZ-3	32	56.98		0164-25-060	TM3293	UJ414	B
GUMZ-6	28	55.8		0706-89-251	TM2880	UJ415	B
GUMZ-7	25.02	41		0259-25-060	TM2564B	UJ413	B
GUMZ-8	37	67		0727-25-060	TM37104	UJ416	B
GUMZ-9	26.53	48		1757-89-251		UJ417	B
GUMZ-10	22.52	35		3919-89-251		UJ418	B
GUMZ-11	22.06		59.6				A

For Japanese Universal Joints

mitsubishi

KML NO.	Boundary dimensions (mm)				Reference No.			Type
	D	O	L	M	Original No.	KOYO	MATSUBA	
GUM71	44		129	25.2	14501-27000	M44135	UJ610	C
GUM73	27		81.75		GPW18397	S2782	UJ620	A
GUM76	25.02		77.6		13018-21200	M2578A	UJ614	A
GUM78	25.02		63.8		ST-0003		UJ619	A
GUM79	25		63.8		ST-00024	M2564	UJ616	A
GUM80	46		142	25	12018-01110	M46142	UJ612	C
GUM81	25		63.8		MB-00345	S2765	UJ625	A
GUM83	52		153.8	25.1	12019-10000		UJ626	C
GUM85	22.08		64.4		MB000300			A
GUM86	28.52		77.7		MT047756	M2978	UJ615	A
GUM87	30.2		78		MB000199		UJ627	A
GUM88	25.02		76.44		MB000776(0008)			A
GUM90	46		148	25.2	14801-06001	M46148	UJ629	C
GUM91	25.03		76.2		MB000948	M2576		A
GUM93	30	55.1			MB000267	S32102A		B

ISUZU

KML NO.	Boundary dimensions (mm)			Reference No.			Type
	D	O	L	Original No.	KOYO	MATSUBA	
GUIS51	23.82		61.3	9-37300-017	12461	UJ313	A
GUIS52	29	50		9-37300-065	12976	UJ314(324)	B
GUIS55	42		125	9-37300-150	142129A	UJ320	C
GUIS56	23.82		61.3	9-37300-609	12461	UJ323	A
GUIS57	48		145	9-37300-163	148149	UJ321	C
GUIS58	36		97.2	9-37300-112	136101A	UJ312	C
GUIS59	20.5		56.5	44135-060		UJ315	A
GUIS60	49.2		148.38	9-37300-139-0	070004AR-1	UJ339	D
GUIS61	23.82		61.3	9-37300-031	12461	UJ313	A
GUIS62	35		103.92	1-37300-0130	1351041		A
GUIS64	40		114.9	1-37300-047-0			C
GUIS65	45.98		136	1-37300-004-0	146142WS	UJ340	C
GUIS66	33		93	5-37300-032-0	133931W	UJ325	A
GUIS67	56		174	1-37300-049-0			D