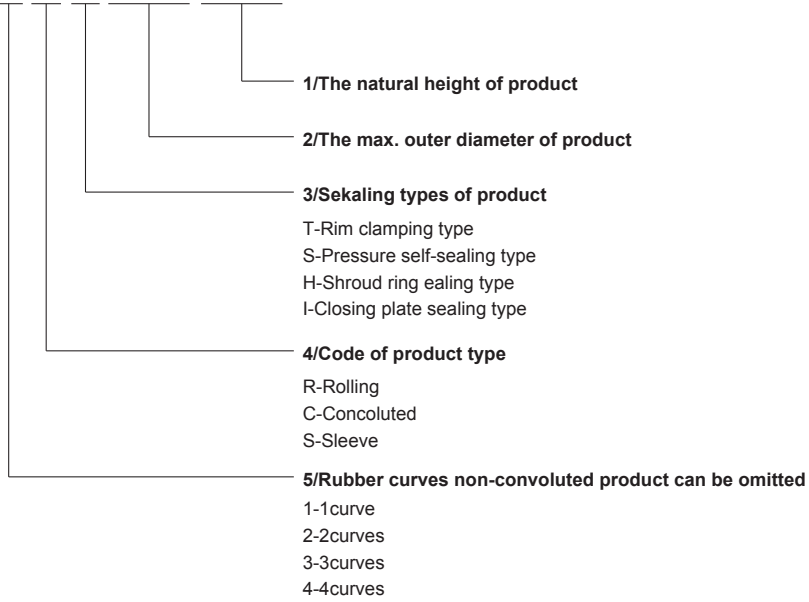


KML Rubber Air Spring Identify SYS

Identification Code

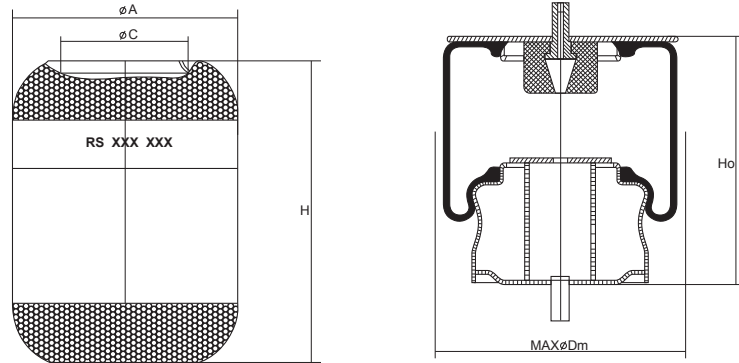
X X X XXX XXX





Rolling Rubber Air Spring

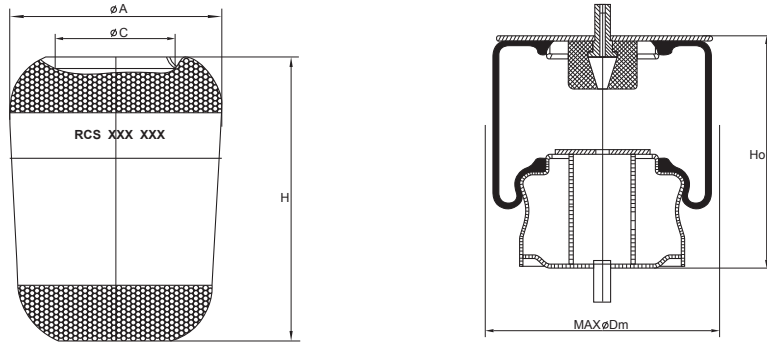
RS Series Performance Parameters List



KML No.	MAX Diameter (mm)	Natural Height (mm)	Load(kn)		Assembly Height(mm)		
			5 bar	7 bar	Min	Design	Max
RS290255	290	255	21	29.5			
RS290305	290	305	21	29.5			
RS290325	290	325	21	29.5			
RS290345	290	345	21	29.5			
RS290375	290	375	21	29.5			
RS290395	290	395	21	29.5	155	275	415
RS290415	290	415	21	29.5	180	290	430
RS290460	290	460	21	29.5			
RS300320	300	320					
RS300340	300	340					
RS300390	300	390	25	35	155	275	415
RS300410	300	410					
RS300430	300	430					
RS300480	300	480					
RS360300	360	300					
RS360360	360	360	32	48	180	310	445
RS360460	360	460					
RS360560	360	560					
RS190315	190	315	9.5				
RS220345	220	345	12	17.5			
RS235355	235	355	12.5				
RS250380	250	380	16				
RS250465	250	465	16				
RS280400	280	400					
RS280445	280	445					

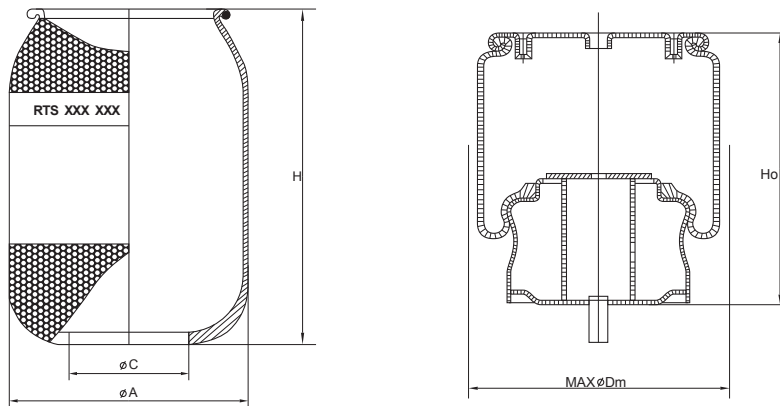
Rolling Rubber Air spring

RCS Series PERFORMANCE Parameters List

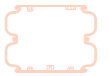


KML No.	MAX diameter (mm)	Natural height (mm)	Load(kn)		Assembly height(mm)		
			5 bar	7 bar	Min	Design	Max
RCS290375	290	375	21	29.5	195	315	455
RCS290430	290	430	21	29.5			
RCS290460	290	460	21	29.5	220	345	545
RCS290510	290	510	21	29.5			

RTS Series Performance Parameters List

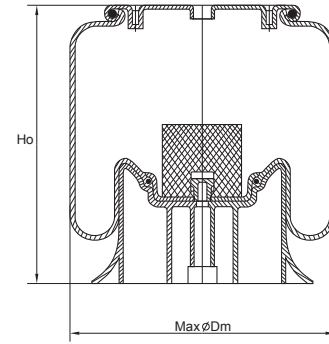
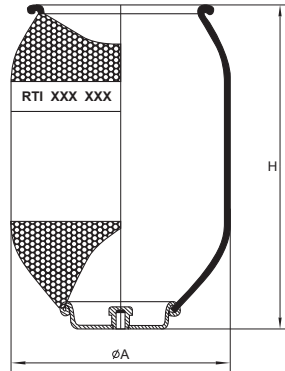


KML No.	MAX diameter (mm)	Natural height (mm)	Load(kn)		Assembly height(mm)		
			5 bar	7 bar	Min	Design	Max
RTS295370	295	370	21	29	175	280	430
RTS295400	295	400	21	29			
RTS295470	295	470	21	29			



Rolling Rubber Air Spring

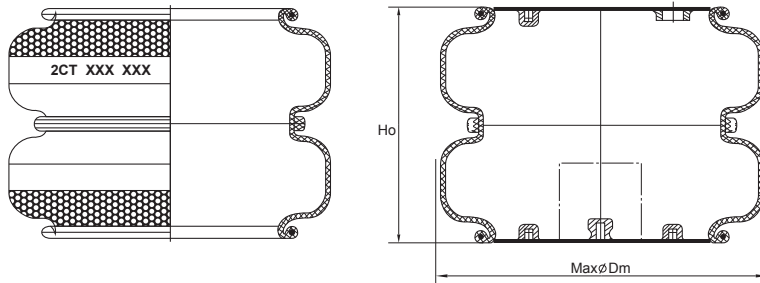
RTI Series Performance Parameters List



KML No.	MAX diameter (mm)	Natural height (mm)	Load(kn)		Assembly height(mm)		
			5 bar	7 bar	Min	Design	Max
RTI320275	320	275	23	33	120	230	310
RTI320325	320	325	23	33			
RTI320375	320	375	23	33	150	300	450
RTI320425	320	425	23	33	180	380	520
RTI320495	320	495	23	33	180	380	595
RTI320545	320	545	23	33			
RTI345430	345	430	29	40	190	380	550
RTI345520	345	520	29	40			

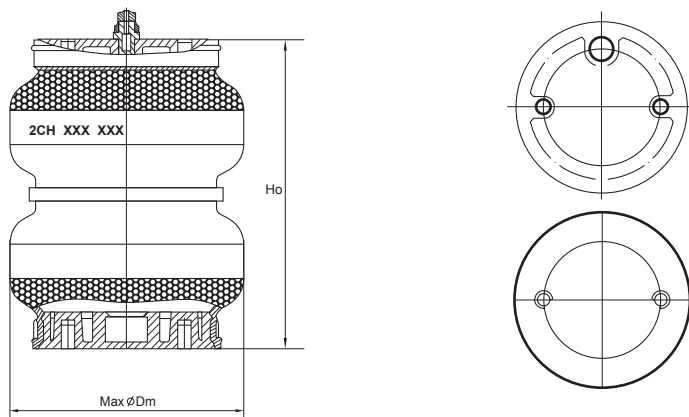
Convulution Air Spring

CT Series Performance Parameters List



KML No.	MAX diameter (mm)	Natural height (mm)	Load(kn)		Assembly height(mm)		
			5 bar	7 bar	Min	Design	Max
1CT14590	145	90	2.8		50	90	110
2CT145165	145	165	2.5		70	165	205
2CT215170	215	170	8		80	170	215
2CT230180	230	180	7		75	180	230
2CT310200	310	200	20.5	28.5	75	200	330
2CT385250	385	250	29.5		85	260	350
3CT325300	325	300	19		100	300	350

CH Series Performance Parameters List

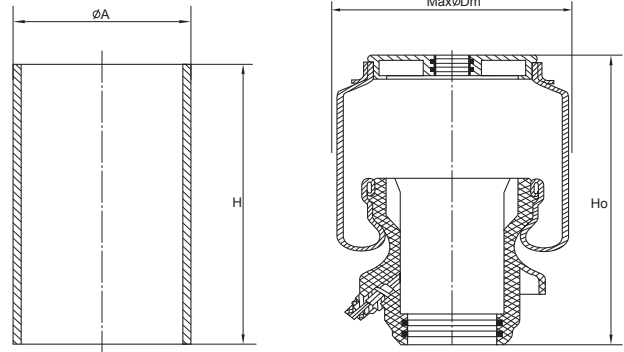


KML No.	MAX diameter (mm)	Natural height (mm)	Load(kn)		Assembly height(mm)		
			5 bar	7 bar	Min	Design	Max
2CH165150	165	150	6		90	150	190



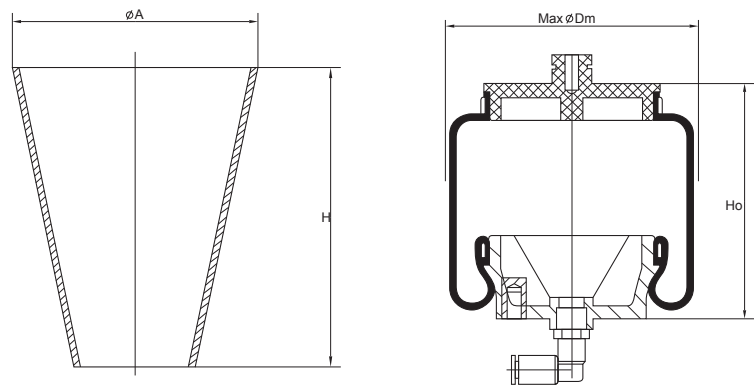
Sleere Type Air Spring

SH Series Performance Parameters List



KML No.	MAX diameter (mm)	Natural height (mm)	Load(kn)		Assembly height(mm)		
			5 bar	7 bar	Min	Design	Max
SH120140	120	140	3.5		60	92	125
SH120160	120	160	3.5		66	96	146
SH125270	125	270	3.5		155	240	340
SH125300	125	300	3.5		155	240	370
SH170340	170	340	6.2		160	240	350

SCH Series Performance Parameters List



KML No.	MAX diameter (mm)	Natural height (mm)	Load(kn)		Assembly height(mm)		
			5 bar	7 bar	Min	Design	Max
SCH170360	170	360	6.2		90	240	350



Cross Reference Number

KML No.	ContiTech	Firestone		Goodyear	Phoenix
RS290395	644N	1R1A390295	W010950118	8017	1E21
RS300390	661N	1R1C390310	W010950021	8018	1E25
RS360360	662N	1R1D335335	W010950207	9007	1E32
RCS315345	701N	1R3M340340	W010950205	9006	1E26
RCS300350	715N	1R1C335310	W010950087	8015	1F25
RCS300460	716N	1R2A450305	W010950145		1F26B1
RCS290460	720N	1R2A460295	W010950195	9008	1F21
RCS360450	727N	1R2D460360	W010950191	8117	1F32A
RCS360470	728N	1R2D470360	W010950419		1F32A
RCS360390	762N	1R2D390360	W010950190	9010	1F32
RS260380	769N	1R1A380260	W010950204	8053	1E18
RS290415	782N	1R1A415285	W010950197	8013	
RCS240355	786N	1R2S355245	W010950436		1F14
RS220345	819N				
RCS260465	882N1	1R4R465260	W010950435		1F16-1
RS310425	897N	1R1K440320	W010950229	8028	
RCS290460	916N				
RS290425	927N	1R1J415285	W010950244	8037	
RS310375	928N	1R1K380320	W010950228	8042	
RS290435	945N	1R1A460290	W010950063	9014	
RS190315	975N	1R1T320195	W010950437		1E10
RCS280445	1885N1	1R2A445280	W010950429	9003	1F208
RS300345	RZ415-25	1R5P345290	W010950381	9006	2G20
RS300410	RZ415-28	1R5P410290	W010950382	9007	2G20A
RTS280400	887MK1				
RTI320275	4150NP04	1T15M-0	W013589039		
RTI320325		1T15M-2			
RTI320375		1T15M-4			
RTI320425		1T15M-6			
RTI320495		1T15M-9			
RTI320545		1T15M-11			
RTI300425	940MB				
RTI345430		1T19L-7			
RTI345520		1T19L-11			
RTI300525	941MB				
RTI355600	942MB	1T66-10.8	W01M588611		
RTS355535	725NP02	1T66E-10.8	W01M588969		1DF32
1CT14590	FS40-61/8M8				
2CT385250			W013587557	2B14-383	
2CT230180	FD120-173/4MB			2B9-220	